



PURGED ROTARY VALVE

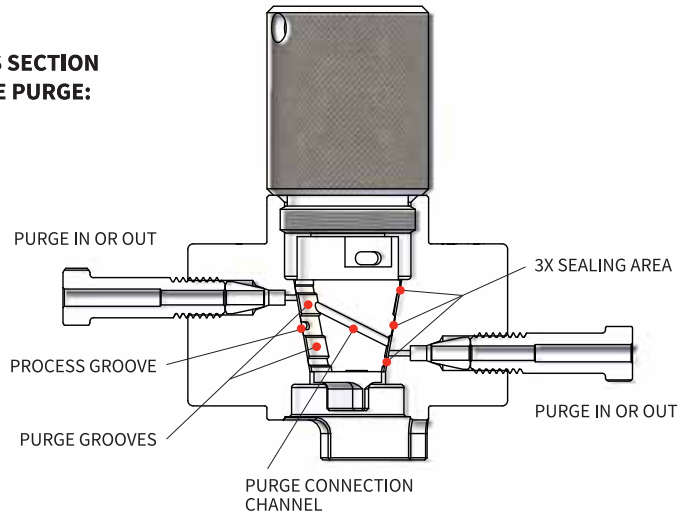
RVP-SERIES

AFP's Purged Rotary Valves for Gas Chromatography systems feature a patented real internal purged rotor design that eliminates the need for an external purged housing or the use of multiple O-ring seals which tend to wear due to friction under normal operation of the valve which increases the potential risk of atmospheric contamination. This makes this valve ideal for high sensitive application.

AFP FEATURES

- Real internal purge - avoids the use of external O-rings.
- Prevents inboard/outboard contamination with the purge design.
- Same patented features than AFP's rotary valves: guiding pins and double stopper.
- Compatible with AFP actuators and accessories.

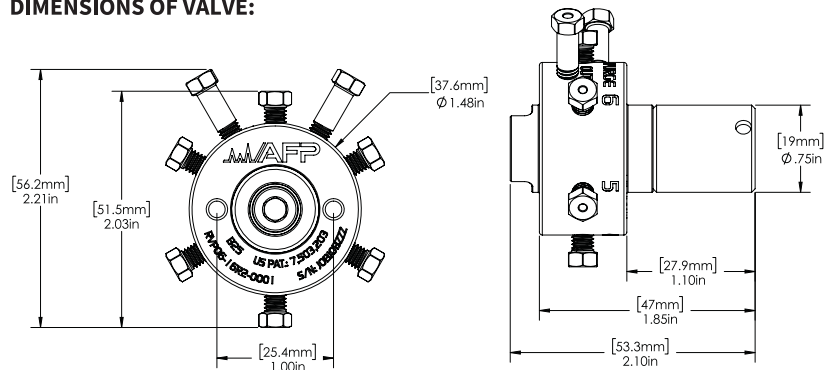
CROSS SECTION OF THE PURGE:



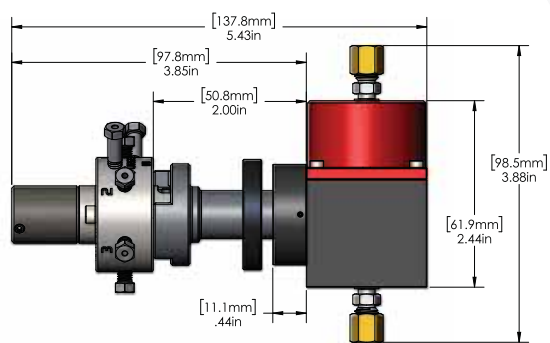
AFP BENEFITS

- Small footprint: No need for external purged box nor external purge housing.
- Ideal valve for high sensitive applications.
- AFP valves are 100% tested for leaks without additional charge.

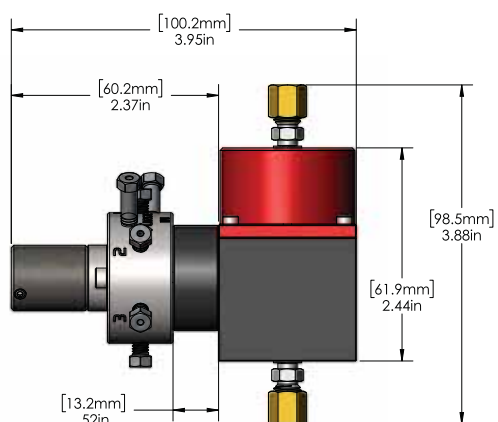
DIMENSIONS OF VALVE:



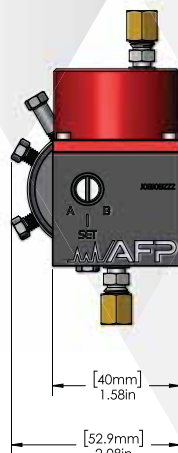
**ON A PNEUMATIC ACTUATOR
WITH STANDOFF OF 2". OTHER LENGTHS AVAILABLE.**



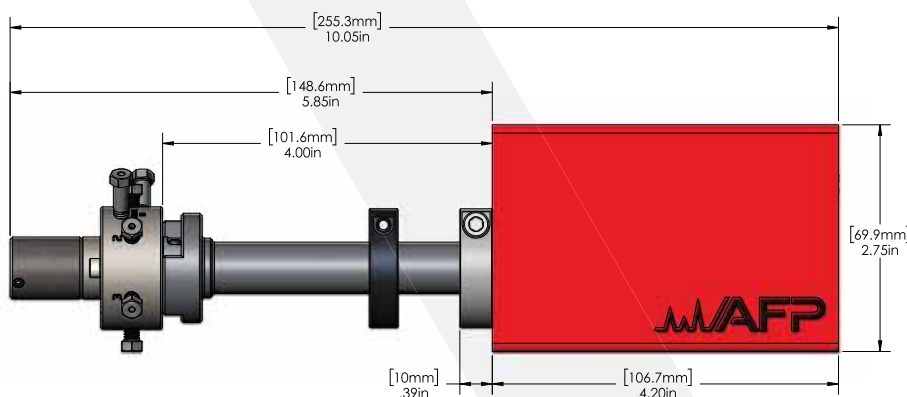
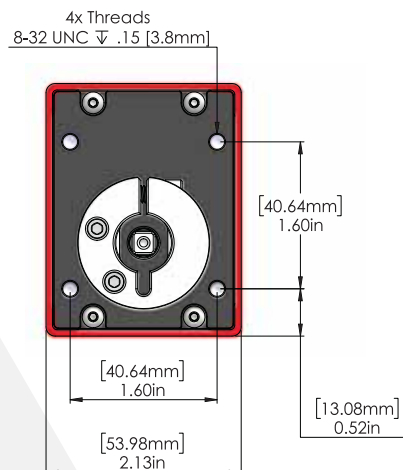
CLOSE MOUNT CONFIGURATION



**STANDARD
SIDE DIMENSIONS**



**ON AN ELECTRONIC ACTUATOR
WITH STANDOFF OF 4".**



PRODUCT DESCRIPTION	AFP SKU	COMPETITION SKU
Internally purged sampling valve, 6 ports, 225°C, 325 psi. Replacement valve	RVP06-16R2-0001-00	DC6UWEPI
Internally purged sampling valve, 10 ports, 225°C, 325 psi. Replacement valve	RVP10-16R2-0001-00	DC10UWEPI
Internally purged sampling valve, 6 ports, 225°C, 325 psi assembled on a pneumatic actuator with a 4" standoff	RVP06-16R2-0001-4P	A4C6UWEPI
Internally purged sampling valve, 10 ports, 225°C, 325 psi assembled on a pneumatic actuator with a 4" standoff	RVP10-16R2-0001-4P	A4C10UWEPI
Internally purged sampling valve, 6 ports, 225°C, 325 psi assembled on an electronic actuator with a 4" standoff	RVP06-16R2-0001-4I	EUDA-4C6UWEPI
Internally purged sampling valve, 10 ports, 225°C, 325 psi assembled on an electronic actuator with a 4" standoff	RVP10-16R2-0001-4I	EUDA-4C10UWEPI

COMPANY INFORMATION

AFP - Analytical Flow Products
2659, boul. du Parc-Technologique
Québec (Québec) | G1P 4S5 | Canada

afproducts.ca sales@afproducts.ca



ANALYTICAL FLOW PRODUCTS